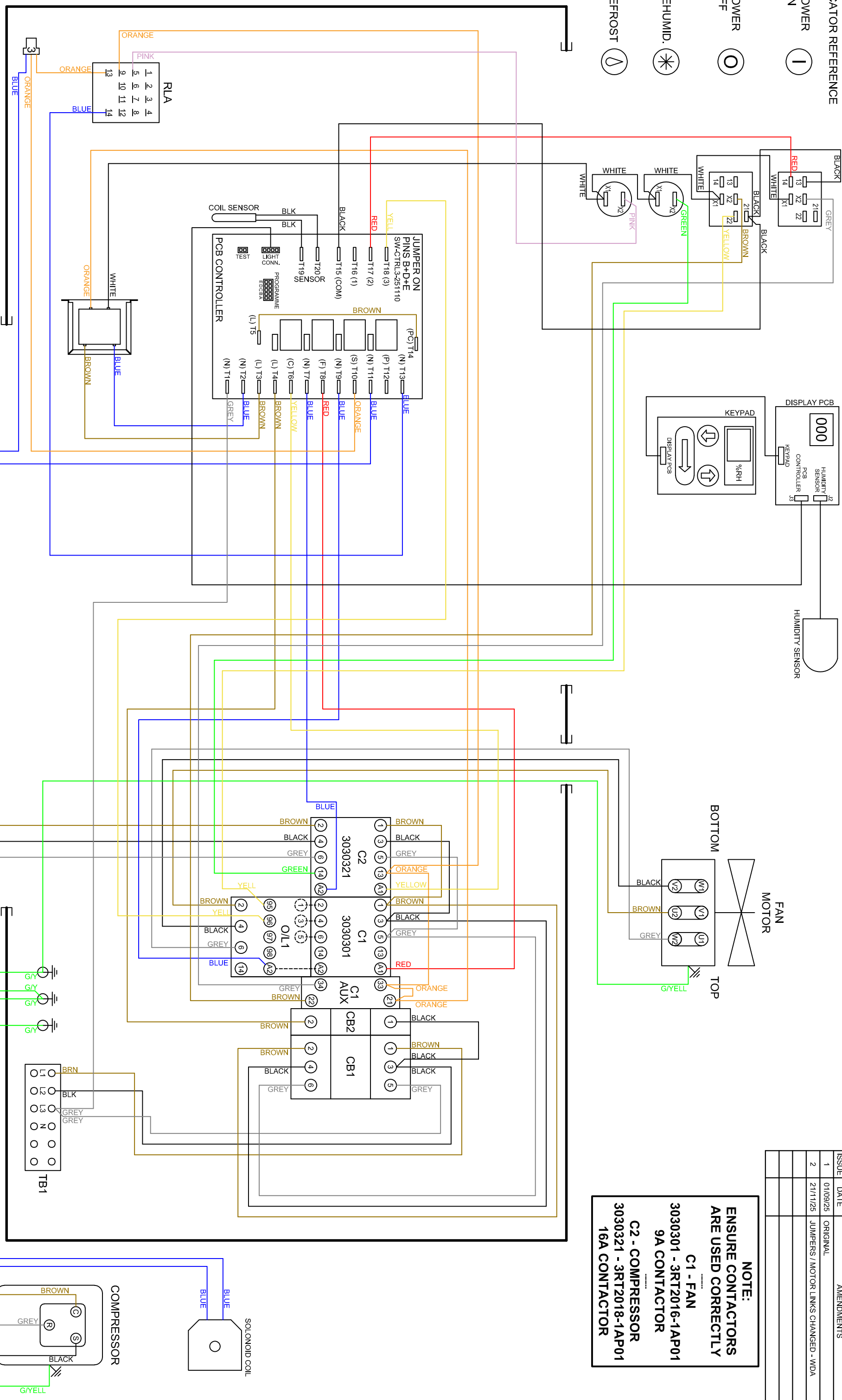


POWER ON 1

POWER OFF 0

DEHUMID. \*

DEFROST ∇

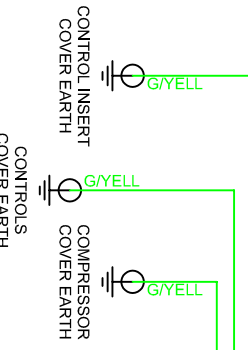


**NOTE:**  
 ENSURE CONTACTORS  
 ARE USED CORRECTLY

C1 - FAN  
 3030301 - 3RT2016-1AP01  
 9A CONTACTOR

C2 - COMPRESSOR  
 3030321 - 3RT2018-1AP01  
 16A CONTACTOR

ISSUE	DATE	AMENDMENTS
1	01/09/25	ORIGINAL
2	21/11/25	JUMPERS / MOTOR LINKS CHANGED - WDA



3RD ANGLE PROJECTION  
 DO NOT SCALE  
 IF IN DOUBT ASK

1997  
 BISHOP AUCKLAND  
 CO. DURHAM  
 ENGLAND

TITLE  
 CD425 220V / 3PH / 60HZ

MATERIAL  
 N/A

FINISH  
 N/A

DRAWN : W DAGLISH  
 CAD SCALE : 1/1

DRG.NO.  
 5010604

SHEET  
 1 OF 1

1 2 3 4 5 6 7 8 9 10 11 12 13 14

A B C D E F G H I