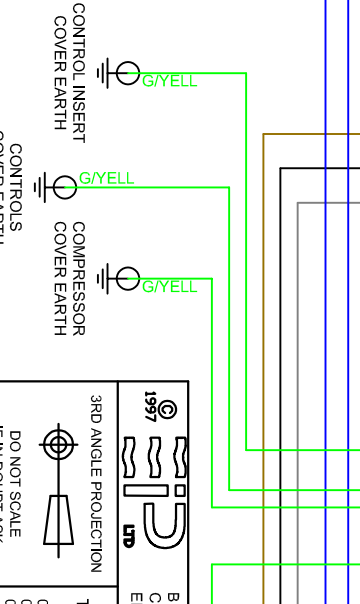
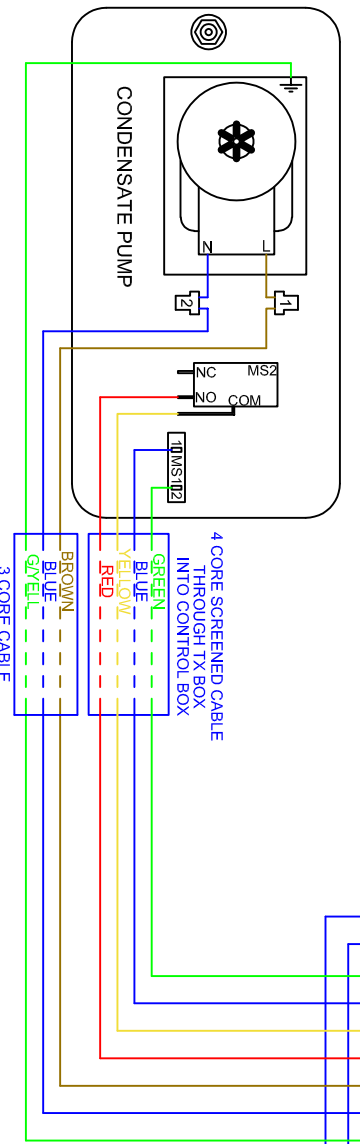
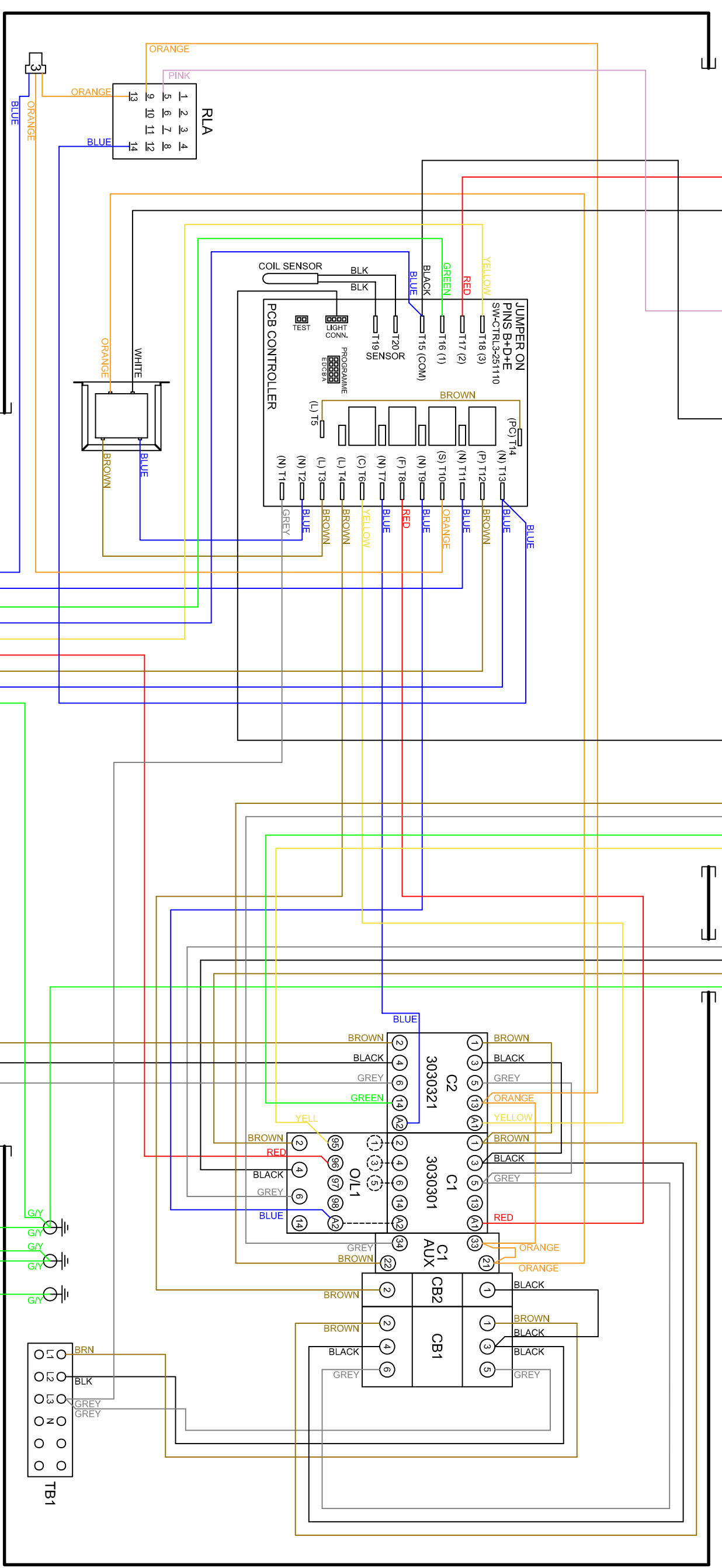
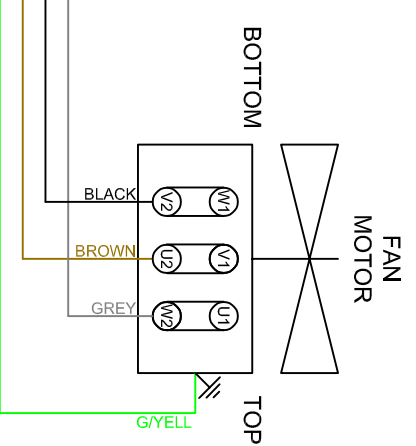
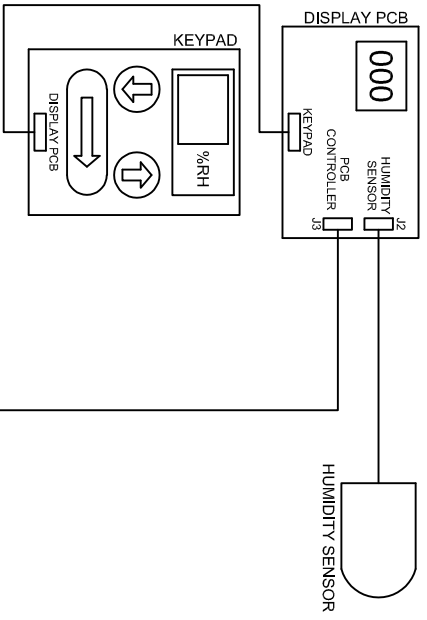
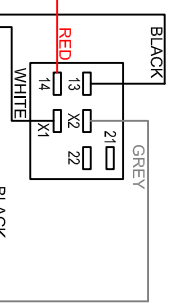


POWER ON **1**

POWER OFF **0**

DEHUMID. **\***

DEFROST **∇**



**NOTE:**  
 ENSURE CONTACTORS ARE USED CORRECTLY

C1 - FAN  
 3030301 - 3RT2016-1AP01  
 9A CONTACTOR

C2 - COMPRESSOR  
 3030321 - 3RT2018-1AP01  
 16A CONTACTOR

ISSUE	DATE	AMENDMENTS
1	01/09/25	ORIGINAL
2	21/11/25	JUMPERS / MOTOR / PUMP N.O. CHANGED - WDA

**1597**  
 BISHOP AUCKLAND  
 CO. DURHAM  
 ENGLAND

**3RD ANGLE PROJECTION**

**5P**

**CD425 220V / 3PH / 60Hz - WITH PUMP**

**TITLE**

**MATERIAL**  
 N/A

**FINISH**  
 N/A

**DRAWN:** W DAGLISH

**CAD SCALE:** 1/1

**DRG. NO.:** 5010605

**SHEET**  
 1 OF 1

**TOLERANCES UNLESS OTHERWISE STATED**  
 0, 0.0  
 ± 1  
 ± 0.25  
 ± 0.05  
 ANGULAR ± 0.5 DEGREE