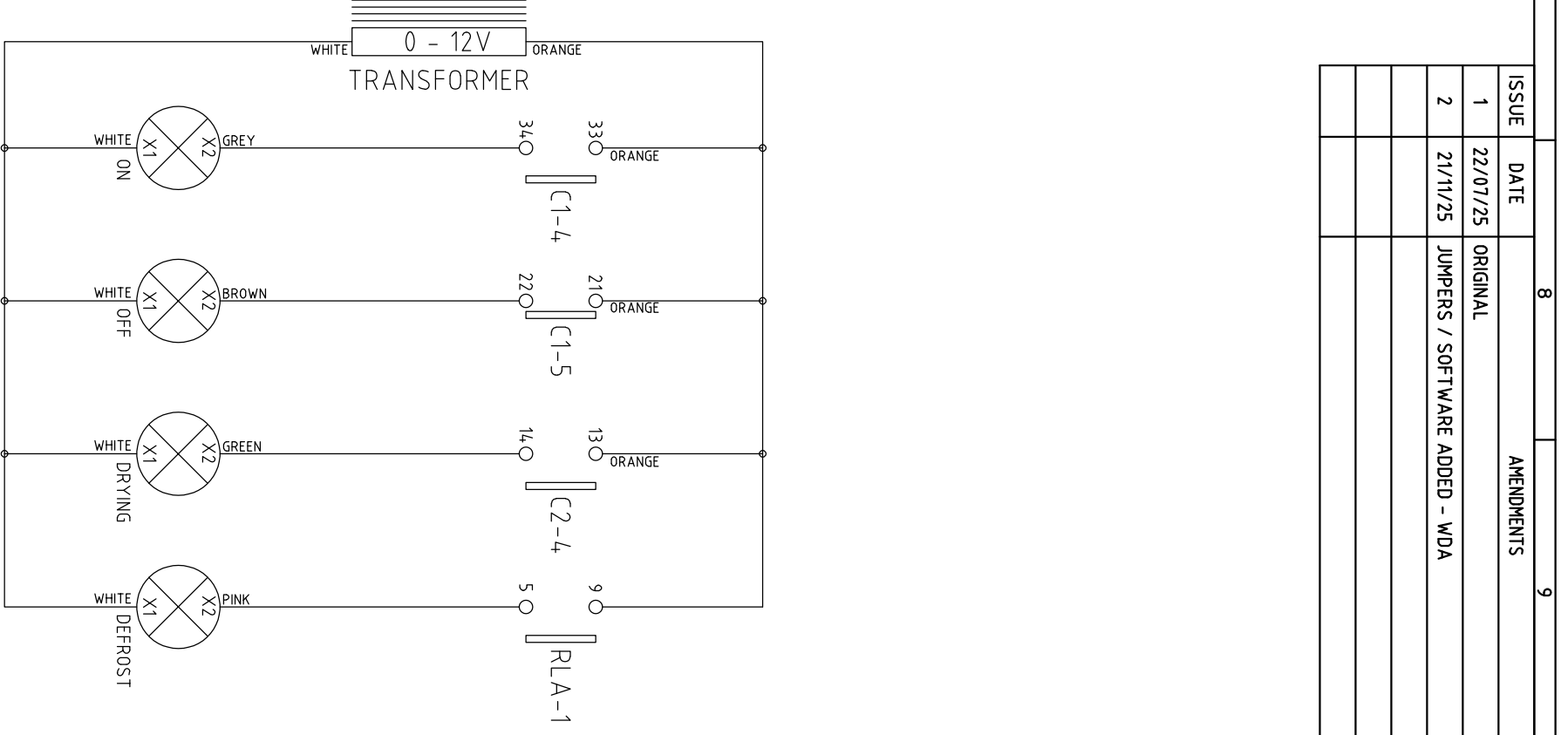
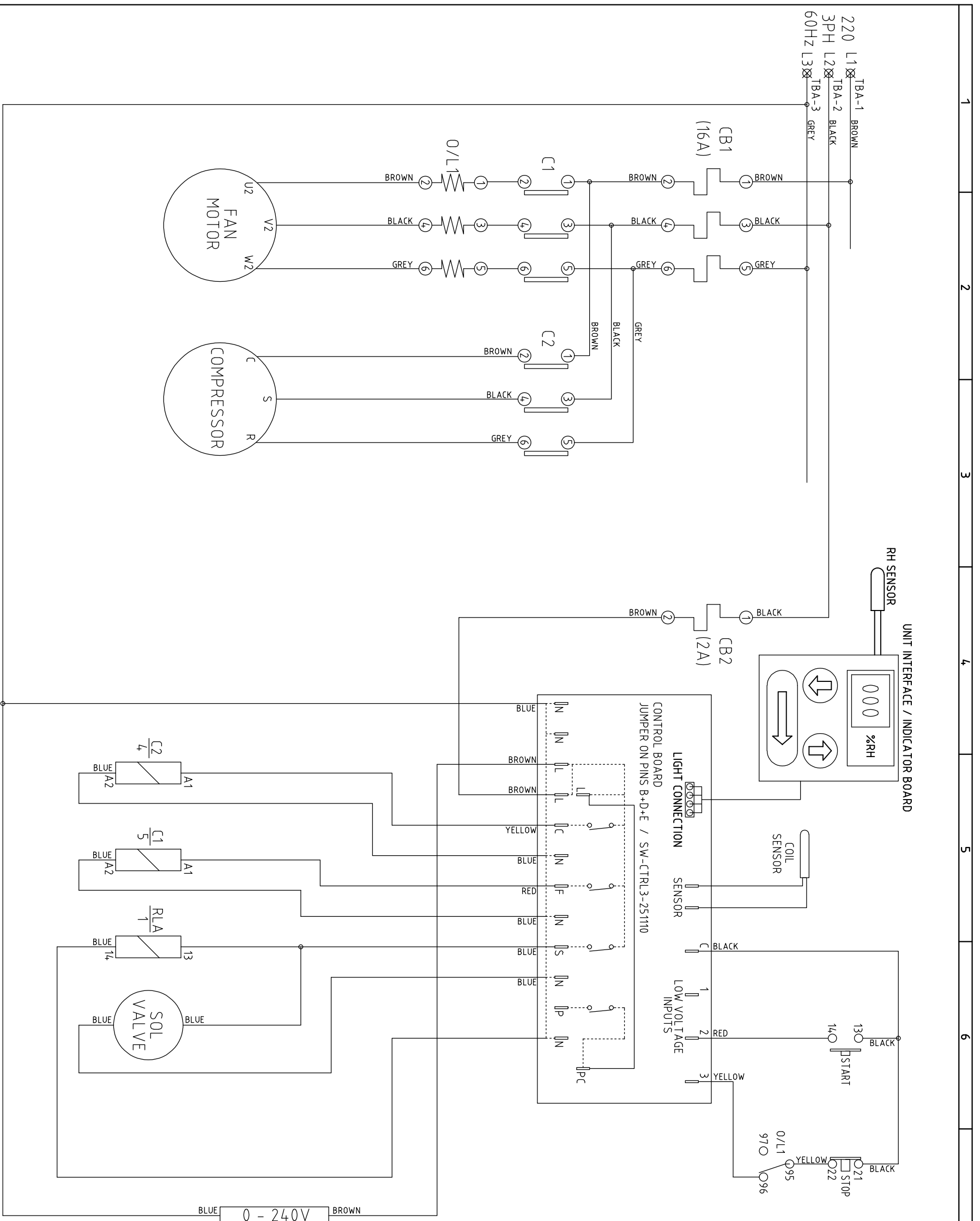


ISSUE	DATE	AMENDMENTS
1	22/07/25	ORIGINAL
2	21/11/25	JUMPERS / SOFTWARE ADDED - WDA



**1993 REBOAC LIMITED BISHOP AUCKLAND ENGLAND**

**TITLE**  
CD425 - 220V / 3Ph / 60Hz

**MATERIAL**  
N/A

**FINISH**  
N/A

**DRG.NO.**  
5020604

**SHEET**  
1 OF 1

**DRAWN:** W DAGLISH  
**CAD SCALE:** N/A

**3RD ANGLE PROJECTION**  
DO NOT SCALE  
IF IN DOUBT ASK

**DIMENSIONS IN m.m.**  
TOLERANCES UNLESS OTHERWISE STATED  
0.0 ± 1  
0.00 ± 0.25  
0.00 ± 0.05  
ANGULAR ± 0.5 DEGREE

