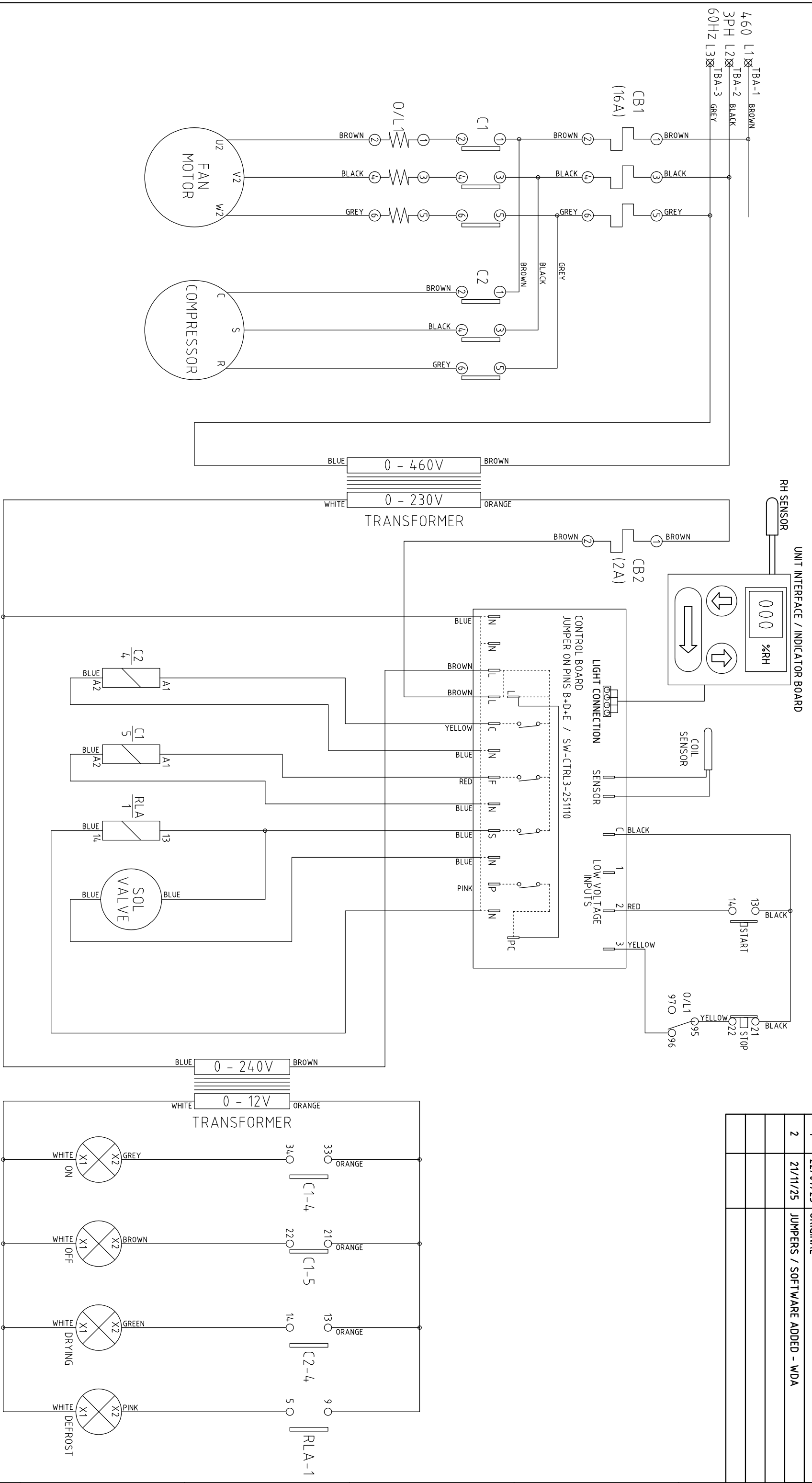
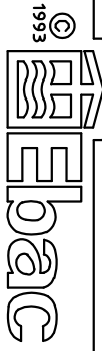


ISSUE	DATE	AMENDMENTS
1	22/07/25	ORIGINAL
2	21/11/25	JUMPERS / SOFTWARE ADDED - WDA





1993
LIMITED
BISHOP AUCKLAND
ENGLAND

TITLE
CD425 - 460V / 3Ph / 60Hz

3RD ANGLE PROJECTION
DO NOT SCALE
IF IN DOUBT ASK

DIMENSIONS IN m.m.
TOLERANCES UNLESS
OTHERWISE STATED

0.0	± 1
0.0	± 0.25
0.00	± 0.05
ANGULAR	± 0.5 DEGREE

MATERIAL
N/A

DRAWN: W DAGLISH

FINISH
N/A

CAD SCALE: N/A

DRG.NO.
5020606

SHEET
1 OF 1